

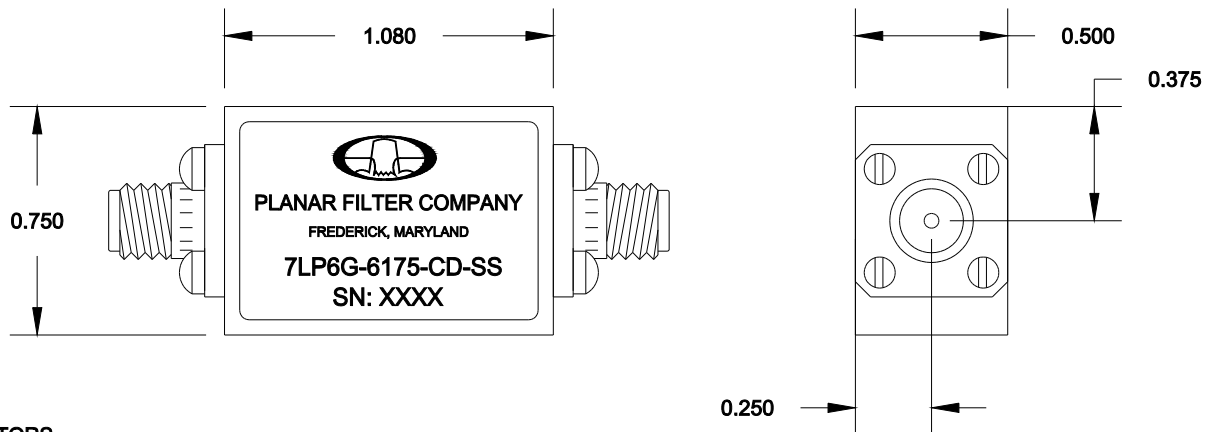
DESCRIPTION:

PFC model number 7LP6G-6175-CD-SS is a Suspended Substrate Lowpass filter with SMA female connectors in/ out. 7LP6G-6175-CD-SS offers very high Q with broadband performance in a silver plated CNC machined housing. This unit has very low loss and is ideal for eliminating broadband harmonics.

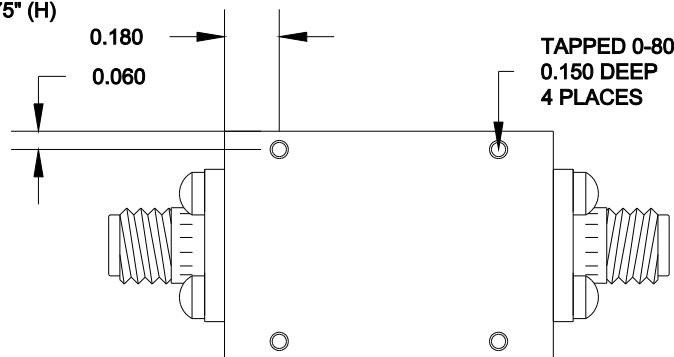
| REVISIONS | | | | |
|-----------|------|------------------|---------|----------|
| ZONE | REV. | DESCRIPTION | DATE | APPROVED |
| | - | ORIGINAL RELEASE | 15/9/00 | |

SPECIFICATIONS:

- PASSBAND: 6000 MHz
- 3dB BANDWIDTH: 6175 MHz
- VSWR IN THE PASS BAND: 1.5:1 MAX.
- INSERTION LOSS (PASSBAND): .7 dB
- REJECTION AT 7 GHz: 70 dB MIN.
- REJECTION FROM 9 TO 20 GHz: 60 dB MIN.



- CONNECTORS: SMA FEMALE CONNECTORS
- SIZE: 1.08" (L) x 0.50" (W) x 0.75" (H)
- WEIGHT: 1 OZ. TYP.



ENVIRONMENTAL RATINGS:

- TEMPERATURE: -55°C TO +85°C (OPERATING)
-65°C TO +125°C (STORAGE)
- HUMIDITY: MIL-STD-202F, METHOD 103B COND. B
- SHOCK: MIL-STD-202F, METHOD 213B COND. B
- VIBRATION: MIL-STD-202F, METHOD 204D COND. B
- ALTITUDE: MIL-STD-202F, METHOD 105C COND. B
- SALT FOG: MIL-STD-202F, METHOD 107D COND. A
- FUNGUS: MIL-STD-810C, METHOD 508.2
- TEMPERATURE CYCLE: MIL-STD-202F, METHOD 107

ALL DIMENSIONS ARE IN INCHES
TOLERANCES:
XXX ±0.010
XXX ±0.005

NOTE: THE ABOVE SPECIFICATIONS ARE SUBJECT TO CHANGE OR REVISION

| | | | | |
|--------------------|---------|--|----------|--------------|
| PART NO. PF60-337 | | Planar Filter Company 7311G Grove Road, Fredrick, Maryland | | |
| APPROVALS | DATE | TITLE | | |
| DRAWN S PALACIO | 15/9/00 | OUTLINE DRAWING 7LP6G-6175-CD-SS | | |
| CHECKED | | SIZE | FSCM NO. | DWG NO. |
| ISSUED | | A | 1QJWO | 155-0418 |
| | | SCALE | N/A | SHEET 1 OF 1 |
| | | | | REV. - |